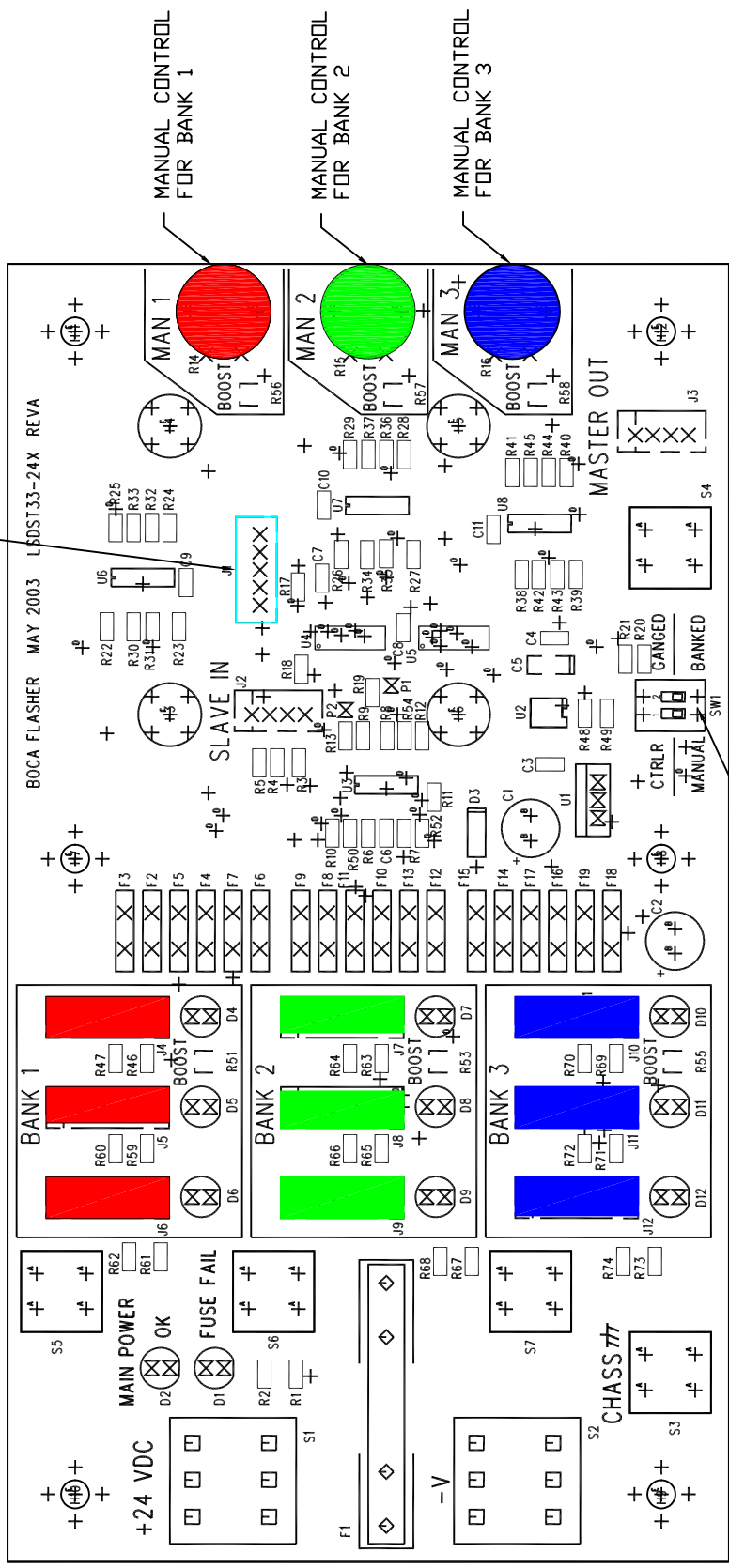


ZONE	REV	DESCRIPTION	DATE	APPROVED

CONNECTION FOR EXTERNAL CONTROLLER



DIP SWITCHES:  
 SELECTIONS FOR DIP SWITCHES:  
 CTRLR: ALLOWS FOR EXTERNAL CONTROLLER TO BE USED  
 MANUAL: ALLOWS THE MANUAL POTENTIOMETERS TO BE USED TO CONTROL STRIP

GANGED: MAN 1 OR CONTROL CHANNEL 1 WILL CONTROL ALL OUTPUTS  
 BANKED: ALLOWS FOR 3 SEPARATE CHANNELS OF CONTROL

BOCA FLASHER		LSDST33-24X	
		INSTRUCTIONS	TOLERANCE N/A
552 N.W. 77TH ST BOCA RATON, FL 33433		DRAWN BY LAURA GLASER	1/8/04
(561) 989-5338		DESIGN BY STEVE MCKINNEY	1/8/04
		APPROVED BY STEVE MCKINNEY	1/8/04
		SCALE 1:1	SHEET 1 OF 1
			REV A

NOTE: THIS DOCUMENT IS CONFIDENTIAL AND PROTECTED BY COPYRIGHTS OF BOCA FLASHER INC.