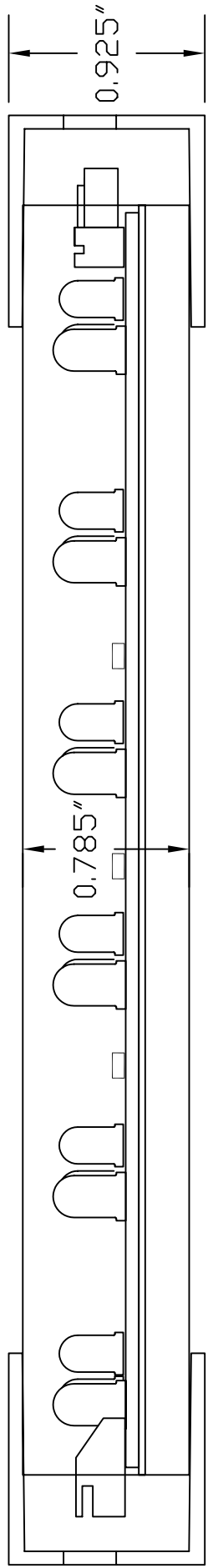


REVISIONS		DATE	APPROVED
ZONE	REV		
DESCRIPTION			



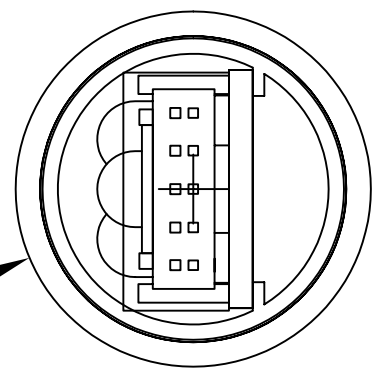
TUBE FINISH OPTIONS INCLUDE:
CLEAR, SAND-BLASTED, OR OPAL
COATING

SIDE VIEW OF LINEAR LED PRODUCT
INSIDE BF-TUB3

SCALE: 1:1

SCALE: 2:1

Ø0.925"



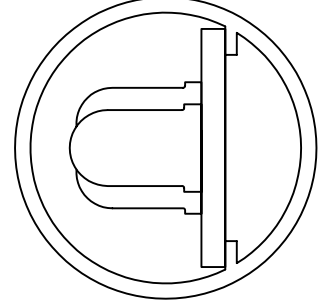
SECTIONAL VIEW OF CAP W/ WINDOW

- ACCESSORIES:
- CLIPS (BF-CLIPS) TO SECURE TUBE
 - END CAPS W/ WINDOWS TO FEED CABLE THROUGH (BF-ECW3)
 - CLOSED END CAPS (BF-EC)
 - COUPLERS TO EXTEND TUBE (BF-CONNECTOR)

POLY CARBONATE TUBE COMES IN A MAXIMUM OF 5FT LENGTHS. TUBE CAN BE CUT TO ANY LENGTH DESIRED.

SCALE: 2:1

Ø0.785"



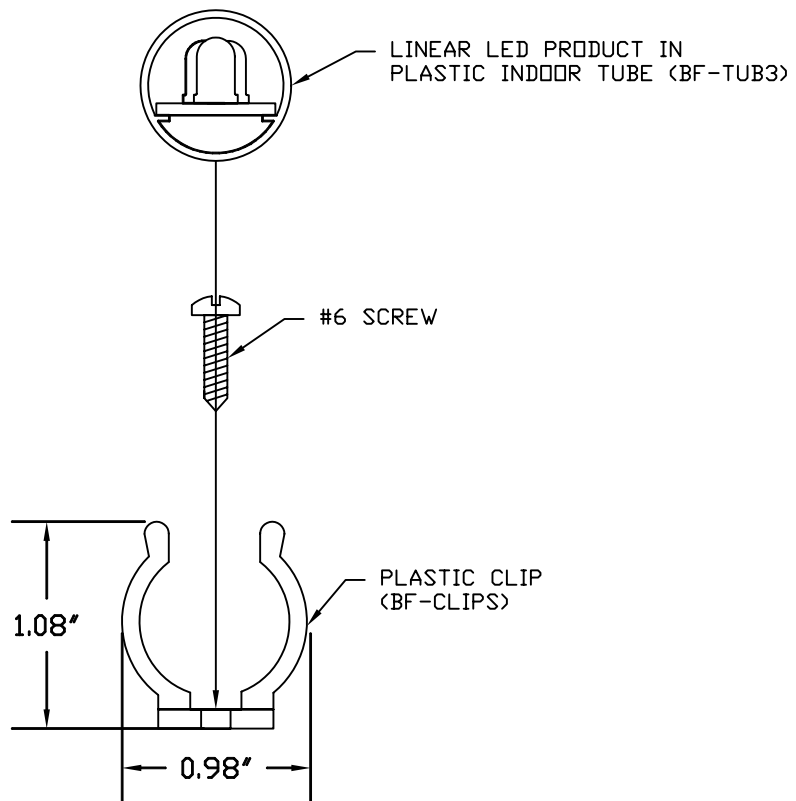
SECTIONAL VIEW OF STRIP IN TUBE
W/O CAP

NOTE: THIS DOCUMENT IS CONFIDENTIAL AND PROTECTED BY COPYRIGHTS OF BOCA FLASHER. BOCA FLASHER DOES NOT TAKE ANY RESPONSIBILITY FOR DAMAGE INCURRED IF MODIFICATIONS ARE MADE TO THE DESIGN WITHOUT THE DESIGNER'S WRITTEN CONSENT.

INDOOR LINEAR TUBE HOUSING
BF-TUB3

FILE NAME	BF-TUB3	TOLERANCE	N/A
DRAWN BY	LAURA GLASER		1/20/05
DESIGN BY	LAURA GLASER		1/20/05
APPROVED BY	STEVE MCKINNEY		1/20/05
SCALE	SEE VIEWS	SHEET	1 OF 1
			REV 3

BOCA FLASHER
552 N.W. 77TH ST
BOCA RATON, FL 33487
(561) 989-5338



NOTES:

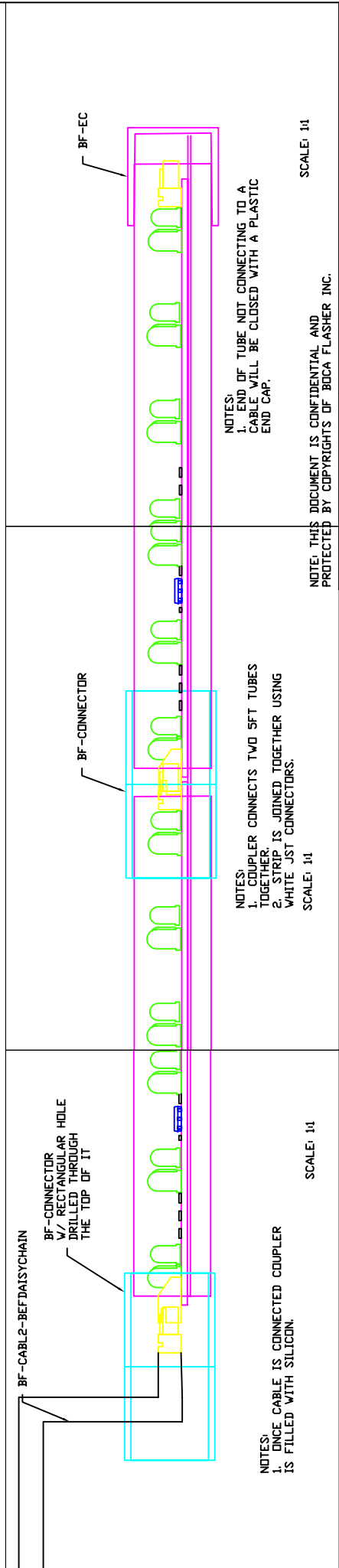
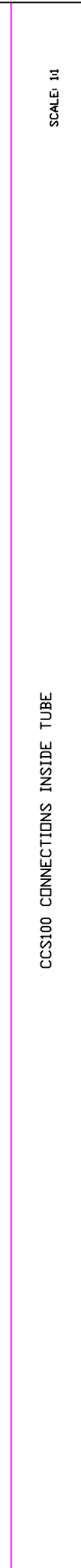
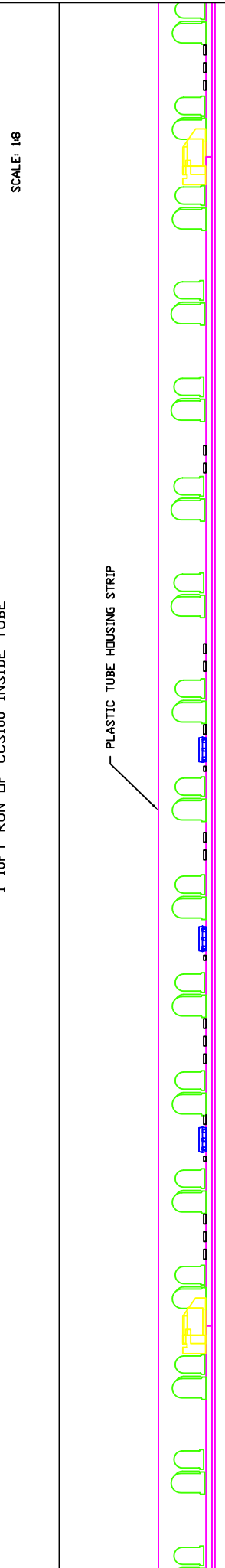
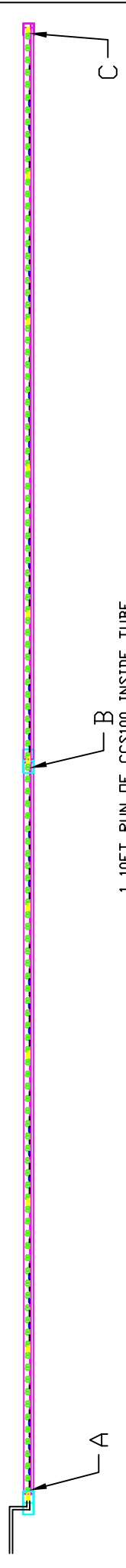
1. MATERIAL UV STABLE CLEAR POLYCARBONATE
2. UL 94-V0 RATED MATERIAL
3. LINEAR LED PRODUCT SLIDES INTO PLASTIC TUBE.
4. CLIPS ARE SCREWED INTO PLACE USING A #6 SCREW.
5. CLIPS SHOULD BE MOUNTED APPROXIMATELY EVERY FOOT.
6. LINEAR LED PRODUCT INSIDE TUBE SNAPS INTO TUBE.

<p>BOCA FLASHER</p> <p>552 N.W. 77TH ST. BOCA RATON, FL 33433</p> <p>(561) 989-5338</p>	DRAWN BY: LAURA GLASER			
	<p>INSTALLING INDOOR LINEAR TUBE</p>			
SCALE	1:1	1/20/05	SHEET	1 OF 1
				REV 3

NOTE: THIS DOCUMENT IS PROTECTED BY COPYRIGHTS OF BOCA FLASHER INC.

REVISIONS		
ZONE	REV	DESCRIPTION

DATE	APPROVED



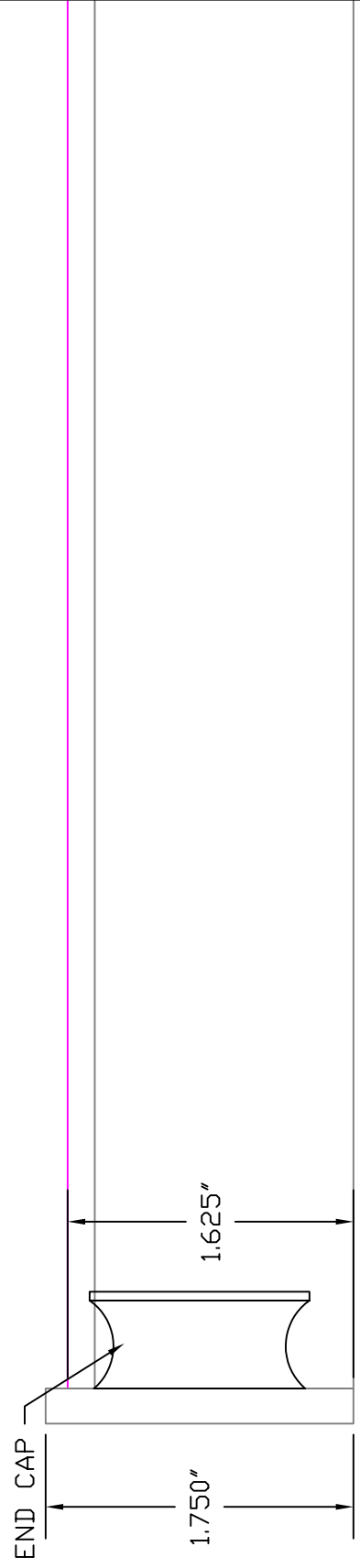
BOCA FLASHER		CCS 100	
552 N.W. 77TH ST BOCA RATON, FL 33487		TUBE CONNECTIONS	TOLERANCE
(561) 989-5338		FILE NUMBER	N/A
		DRAWN BY	LAURA GLASER
		DESIGN BY	DAVE URBAN
		APPROVED BY	DAVE URBAN
		SCALE	SEE ABOVE
		SHEET	1 OF 1
		REV	A

NOTES:
1. EVERY 10FT OF STRIP (2 5FT TUBES) A HOME RUN CABLE (BF-CABL2-BEFDAISYCHAIN) WILL BE USED TO FEED POWER AND CONTROL TO STRIP.
2. THE CABLE MUST ATTACH TO THE MALE END ON THE CCS100.

REVISIONS		DATE	APPROVED
ZONE	REV		
DESCRIPTION			

LINEAR EXTRUSION CAN HOUSE ANY OF BOCA FLASHER'S LINEAR PRODUCT INCLUDING THE FOLLOWING LINES: AC, CCS, & LS

EXTRUSION IS CUT TO CUSTOM LENGTHS FROM 4" - 10FT

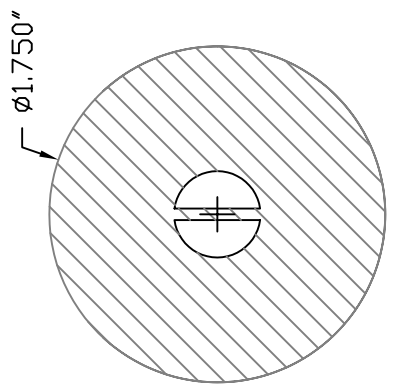


SIDE VIEW OF LINEAR EXTRUSION

SCALE: 1:1

END CAP

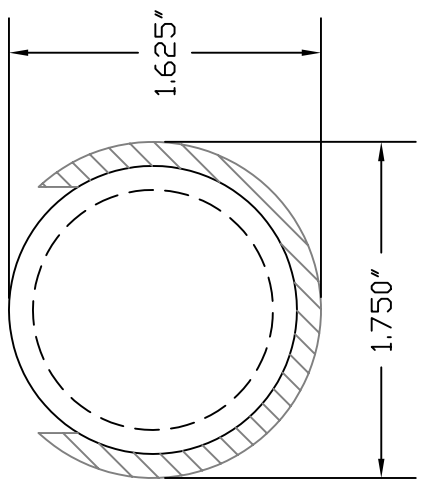
SCALE: 1:1



SECTIONAL VIEW

SCALE: 1:1

NOTE:
MAY HOUSE ONE OR TWO
LINEAR RUNS OF
PRODUCT.



SECTIONAL VIEW

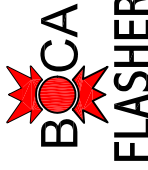
FEATURES:

1. POLYCARBONATE TUBE IS UV RESISTANT
2. SCRATCH RESISTANT COATING AVAILABLE UPON REQUEST
3. OUTDOOR APPLICATION FIXTURE
4. ALUMINUM EXTRUSION

ACCESSORIES:

- END CAPS FOR CABLES (BF-LLECW4)
- PLUGGED END CAPS (BF-LLECC4)
- CLIPS TO MOUNT TUBE (BF-LLCLIPS4)
- L BRACKET FOR MOUNTING TUBE (BF-LLBRKT4)

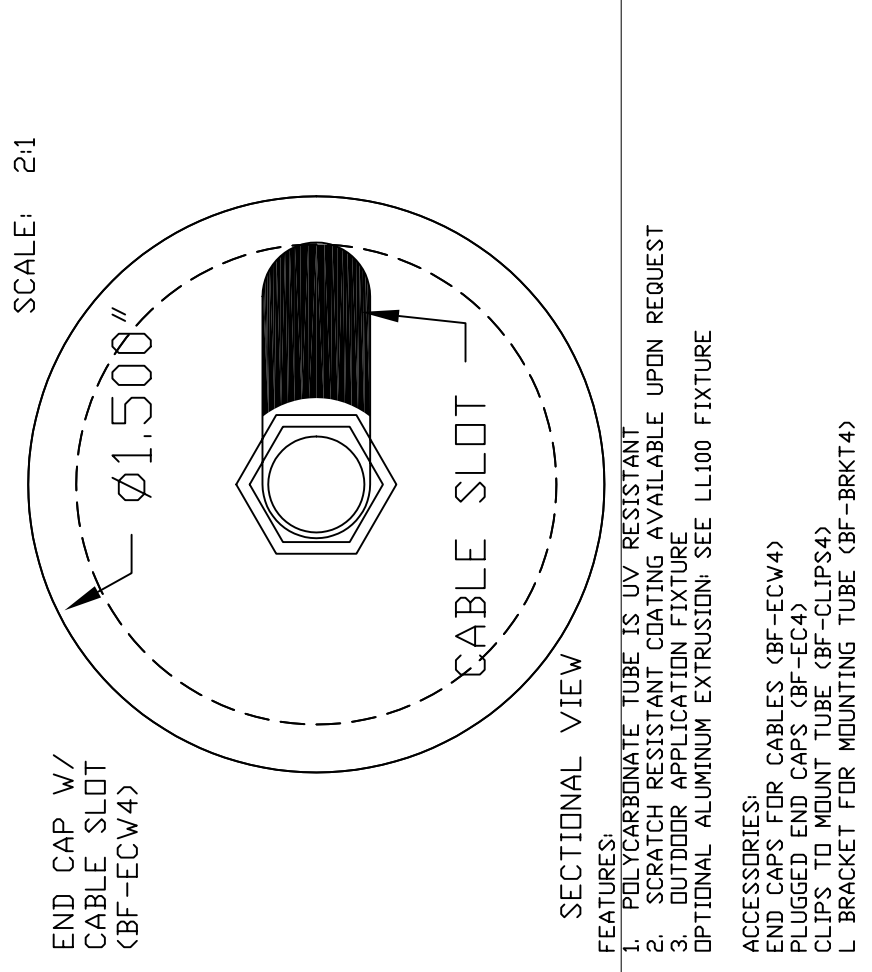
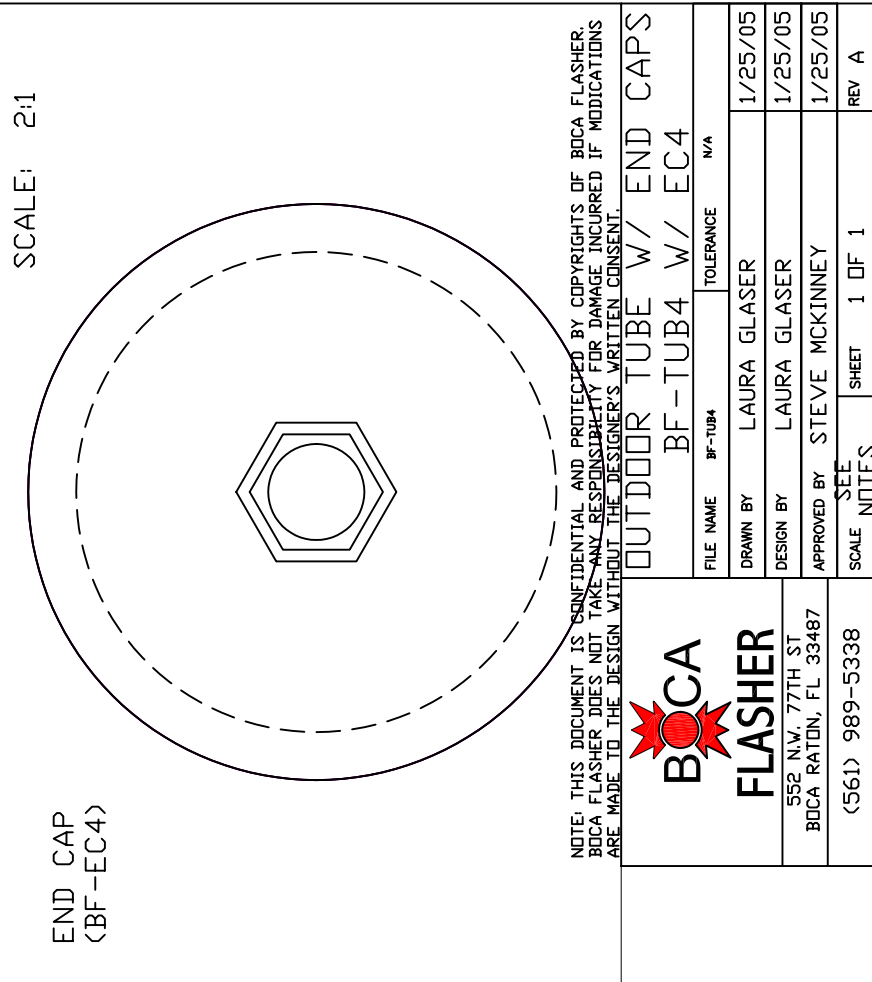
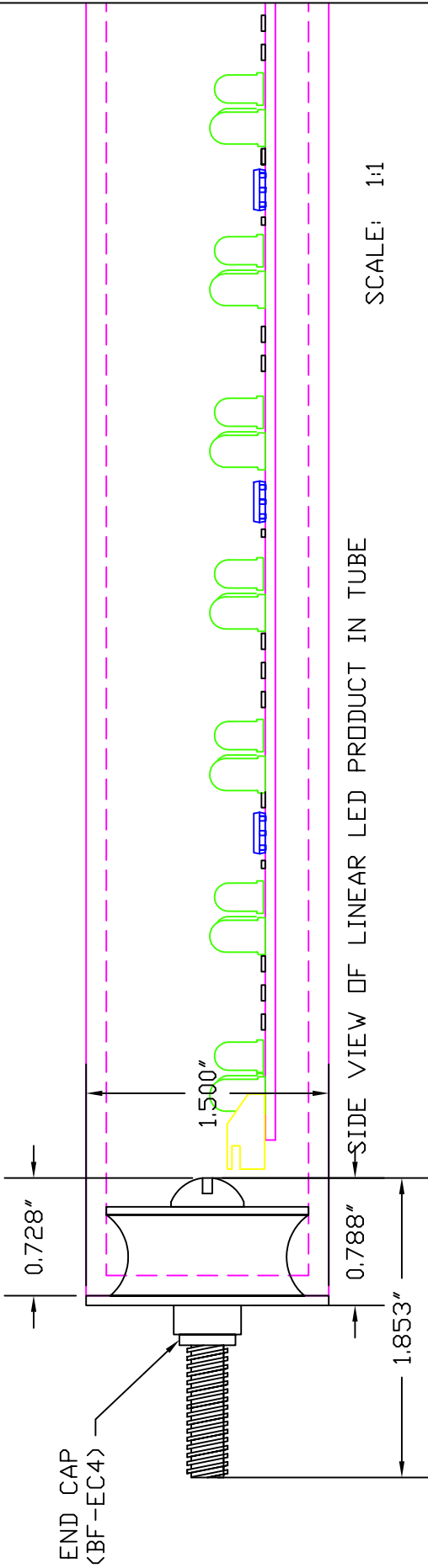
NOTE: THIS DOCUMENT IS CONFIDENTIAL AND PROTECTED BY COPYRIGHTS OF BOCA FLASHER. BOCA FLASHER DOES NOT TAKE ANY RESPONSIBILITY FOR DAMAGE INCURRED IF MODIFICATIONS ARE MADE TO THE DESIGN WITHOUT THE DESIGNER'S WRITTEN CONSENT.

 <p>BOCA FLASHER 552 N.W. 77TH ST BOCA RATON, FL 33487 (561) 989-5338</p>		<p>LINEAR OUTDOOR EXTRUSION BF-LL100</p>		
		FILE NAME	BF-TUB4	TOLERANCE
DRAWN BY	LAURA GLASER	1/25/05		
DESIGN BY	LAURA GLASER	1/25/05		
APPROVED BY	STEVE MCKINNEY	1/25/05		
SCALE	SEE NOTES	SHEET	1 OF 1	REV A

REVISIONS		DATE	APPROVED
ZONE	REV	DESCRIPTION	

TUBING CAN HOUSE ANY OF BOCA FLASHER'S LINEAR PRODUCT INCLUDING THE FOLLOWING LINES: AC, CCS, & LS

TUBING IS CUT TO CUSTOM LENGTHS FROM 4' - 10FT



NOTE: THIS DOCUMENT IS CONFIDENTIAL AND PROTECTED BY COPYRIGHTS OF BOCA FLASHER. BOCA FLASHER DOES NOT TAKE ANY RESPONSIBILITY FOR DAMAGE INCURRED IF MODIFICATIONS ARE MADE TO THE DESIGN WITHOUT THE DESIGNER'S WRITTEN CONSENT.

OUTDOOR TUBE W/ END CAPS	
BF-TUB4	W/ EC4
FILE NAME	TOLERANCE
BF-TUB4	N/A
DRAWN BY	LAURA GLASER
DESIGN BY	LAURA GLASER
APPROVED BY	STEVE MCKINNEY
SCALE	1 OF 1
SEE NOTES	REV A

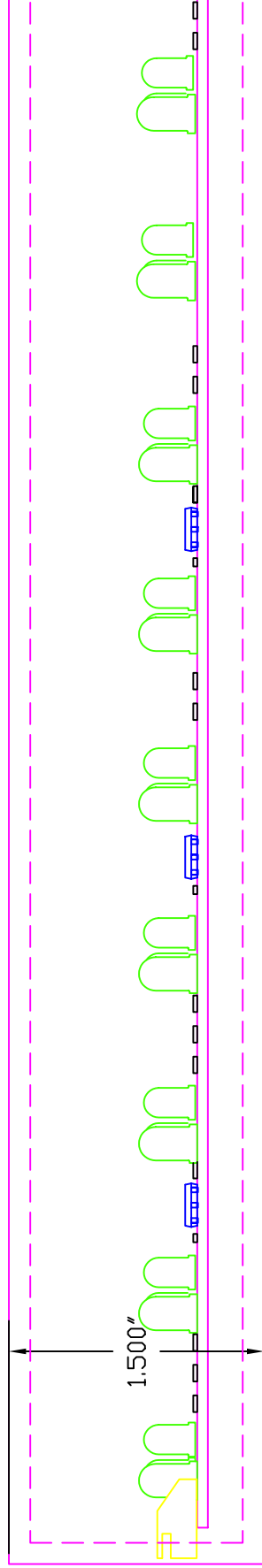
BOCA FLASHER
 552 N.W. 77TH ST
 BOCA RATON, FL 33487
 (561) 989-5338

SECTIONAL VIEW
 FEATURES:
 1. POLYCARBONATE TUBE IS UV RESISTANT
 2. SCRATCH RESISTANT COATING AVAILABLE UPON REQUEST
 3. OUTDOOR APPLICATION FIXTURE
 OPTIONAL ALUMINUM EXTRUSION: SEE LL100 FIXTURE

ACCESSORIES:
 END CAPS FOR CABLES (BF-ECW4)
 PLUGGED END CAPS (BF-EC4)
 CLIPS TO MOUNT TUBE (BF-CLIPS4)
 L BRACKET FOR MOUNTING TUBE (BF-BRKT4)

TUBING CAN HOUSE ANY OF BOCA FLASHER'S LINEAR PRODUCT INCLUDING THE FOLLOWING LINES: AC, CCS, & LS

TUBING IS CUT TO CUSTOM LENGTHS FROM 4' - 10FT

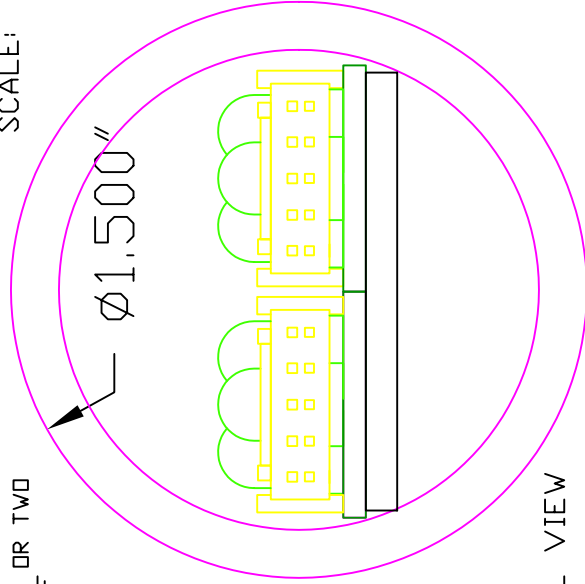


SIDE VIEW OF LINEAR LED PRODUCT IN TUBE

SCALE: 1:1

NOTE:
MAY HOUSE ONE OR TWO
LINEAR RUNS OF
PRODUCT.

SCALE: 2:1



SECTIONAL VIEW

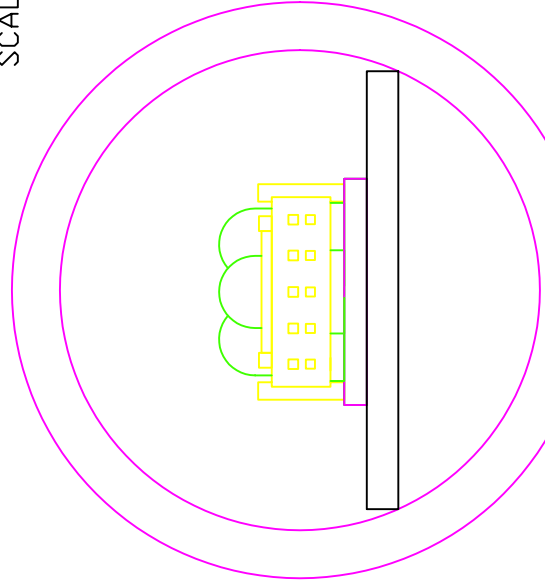
FEATURES:

1. POLYCARBONATE TUBE IS UV RESISTANT
 2. SCRATCH RESISTANT COATING AVAILABLE UPON REQUEST
 3. OUTDOOR APPLICATION FIXTURE
- OPTIONAL ALUMINUM EXTRUSION: SEE LL100 FIXTURE

ACCESSORIES:

- END CAPS FOR CABLES (BF-ECW4)
- PLUGGED END CAPS (BF-EC4)
- CLIPS TO MOUNT TUBE (BF-CLIPS4)
- L BRACKET FOR MOUNTING TUBE (BF-BRKT4)

SCALE: 2:1

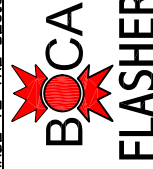


NOTE: THIS DOCUMENT IS CONFIDENTIAL AND PROTECTED BY COPYRIGHTS OF BOCA FLASHER. BOCA FLASHER DOES NOT TAKE ANY RESPONSIBILITY FOR DAMAGE INCURRED IF MODIFICATIONS ARE MADE TO THE DESIGN WITHOUT THE DESIGNER'S WRITTEN CONSENT.

LINEAR OUTDOOR TUBE

BF-TUB4

FILE NAME	BF-TUB4	TOLERANCE	N/A
DRAWN BY	LAURA GLASER		7/26/04
DESIGN BY	LAURA GLASER		7/26/04
APPROVED BY	STEVE MCKINNEY		7/26/04
SCALE	SEE NOTES	SHEET	1 OF 1
REV			REV A



552 N.W. 77TH ST
BOCA RATON, FL 33487

(561) 989-5338