

Body cut away to show LED layout

- OPTIONS:
1. COLORS IN RED, AMBER, ORANGE, GREEN, BLUE, WHITE (3K, 5K, AND 8K COLOR TEMPERATURES)
  2. SAND-BLASTING OF THE LEDs
  3. CONFORMAL COATING FOR WATER RESISTANCE
  4. ALSO AVAILABLE WITHOUT MR16 HOUSING. HEAT SINKING MOUNTING BRACKET AVAILABLE FOR THIS BUILD.

INPUT VOLTAGE: 12VAC  
 INPUT CURRENT: 240mA  
 BASE: GU5.3  
 BODY: STANDARD MR16 CERAMIC SHELL

NOTE: THIS DOCUMENT IS PROTECTED BY COPYRIGHTS OF BOCA FLASHER INC.



552 N.W. 77TH ST  
 BOCA RATON, FL 33487

(561) 989-5338

DRAWN BY: LAURA GLASER

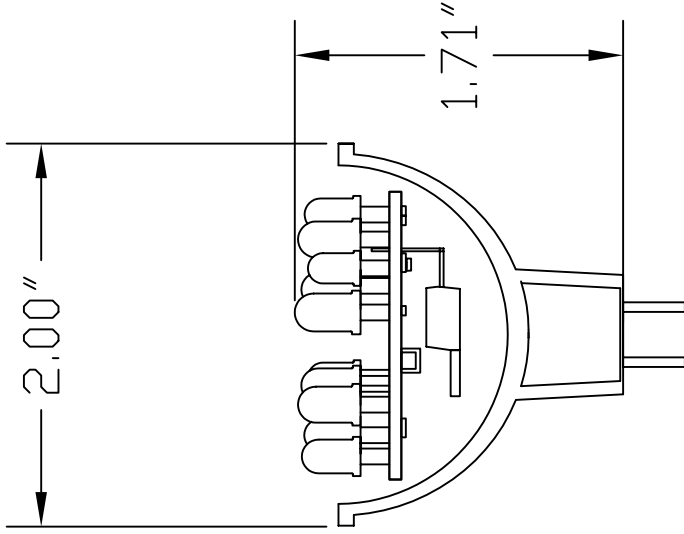
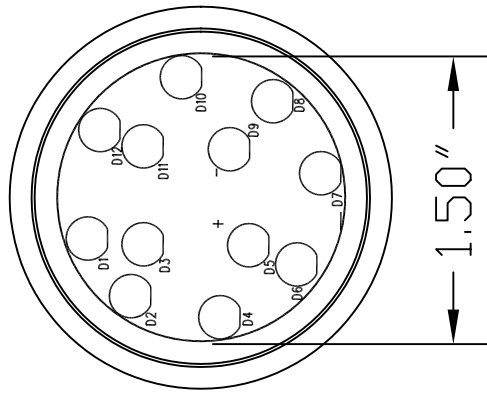
MR16 12VAC  
 BF-MR1624-12A-X

SCALE 1:1

3/27/03

SHEET 1 OF 1

REV B



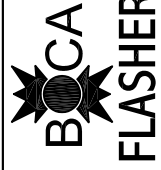
Body cut away to  
show LED array

**OPTIONS:**

1. COLORS IN RED, AMBER, ORANGE, GREEN, BLUE, WHITE (3K, 5K, AND 8K COLOR TEMPERATURES)
2. SAND-BLASTING OF THE LEDS
3. CONFORMAL COATING FOR WATER RESISTANCE
4. ALSO AVAILABLE WITHOUT MR16 HOUSING
5. 12 OR 24 LEDS (12 LED SHOWN)

INPUT VOLTAGE: 12VDC  
 INPUT CURRENT: 120mA  
 BASE: GU5.3  
 BODY: STANDARD MR16 CERAMIC SHELL

NOTE: THIS DOCUMENT IS PROTECTED BY  
 COPYRIGHTS OF BOCA FLASHER INC.



552 N.W. 77TH ST  
 BOCA RATON, FL 33487

(561) 989-5338

DRAWN BY: LAURA GLASER

MR16 12VDC, 12 LED  
 BF-MR1612-12D-X

SCALE 1:1

3/27/03

SHEET 1 OF 1

REV G