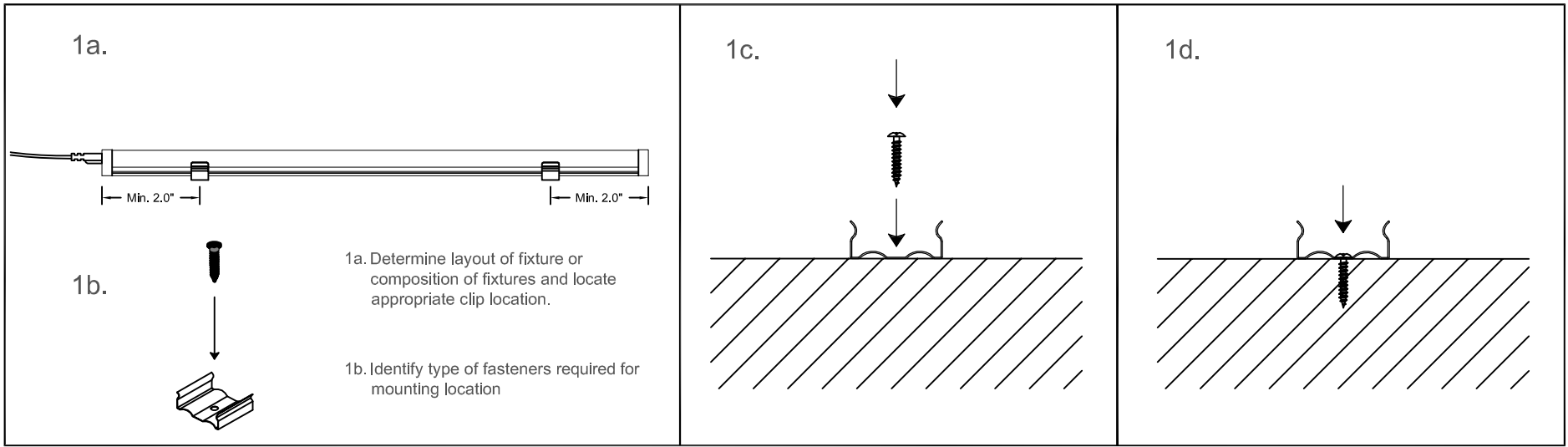
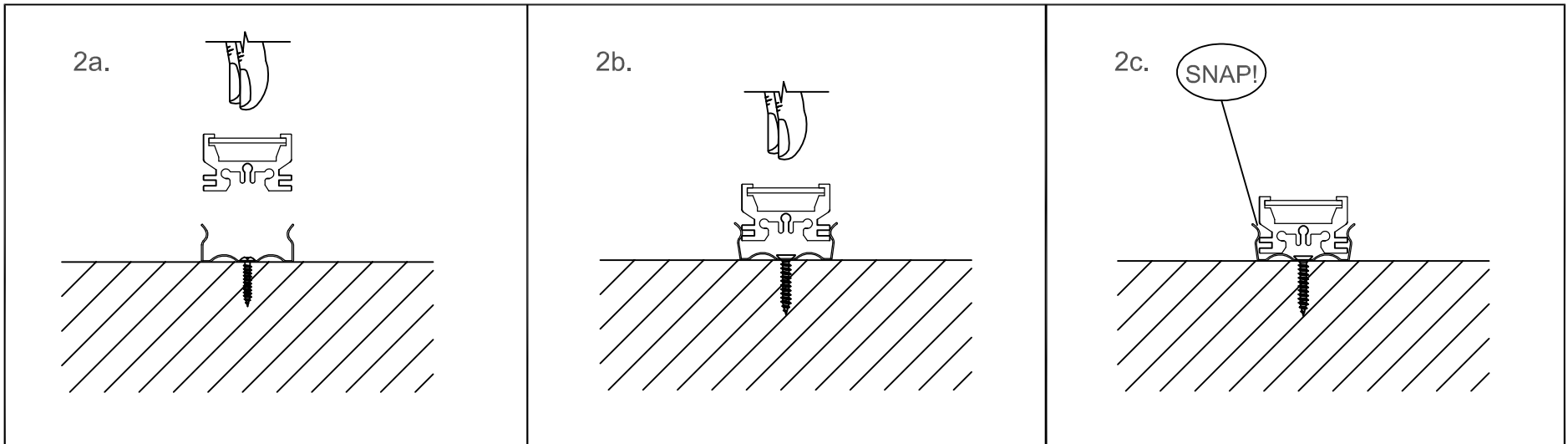



1. INSTALL CLIP



2. INSTALL FIXTURE



 <p>www.bocaflasher.com</p>	<p>THIS DOCUMENT IS CONFIDENTIAL AND PROTECTED BY COPYRIGHTS OF BOCA FLASHER INC.</p>	<h2>Niche</h2>	
	<p>UNLESS OTHERWISE SPECIFIED ALL DIMENSIONS ARE IN INCHES. TOLERANCES: ANGLES: ± .XX° LINEAR: X.X ± 0.050 X.XX ± 0.015 X.XXX ± 0.005</p>	<p>FILE NAME: TECHNICAL SHEET</p>	<p>PART #: Niche</p>
<p>552 N.W. 77TH ST BOCA RATON, FL 33487</p>	<p>APPROVED BY: ANGELA TODD</p>	<p>DRAWN BY: DEMMLER FILLINGER</p>	<p>05 / 03 / 11</p>
<p>(561) 989-5338</p>	<p>SCALE: NTS</p>	<p>SHEET: 1 OF 1</p>	<p>VER. A</p>