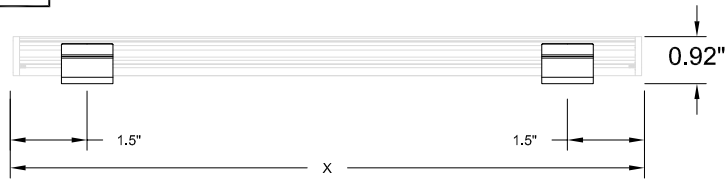


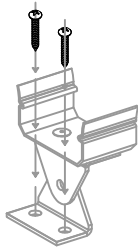
1. INSTALL CLIP

1a.



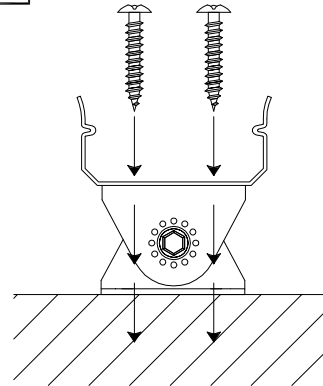
1a. Determine layout of fixture or composition of fixtures and locate appropriate clip location.

1b.

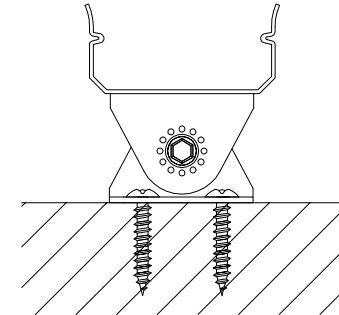


1b. Identify type of fasteners required for mounting location

1c.

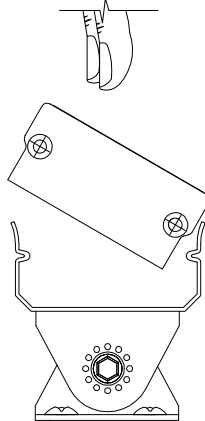


1d.

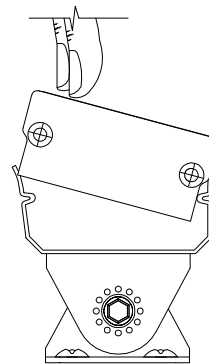


2. INSTALL FIXTURE

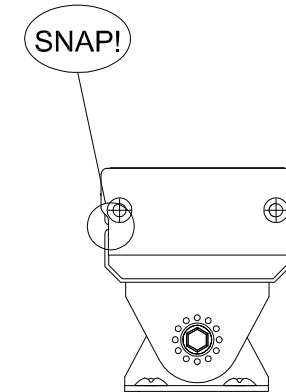
2a.



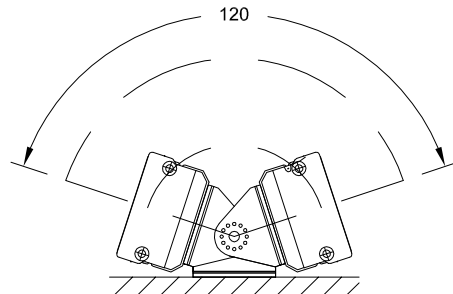
2b.




2c.



3. ADJUST ANGLE



 www.bocaflasher.com 552 N.W. 77TH ST BOCA RATON, FL 33487 (561) 989-5338	THIS DOCUMENT IS CONFIDENTIAL AND PROTECTED BY COPYRIGHTS OF BOCA FLASHER INC.	<h2>HPNFC</h2>	
	UNLESS OTHERWISE SPECIFIED ALL DIMENSIONS ARE IN INCHES. TOLERANCES: ANGLES: ± .XX° LINEAR: X.X ± 0.050 X.XX ± 0.015 X.XXX ± 0.005	FILE NAME: SWIVEL CLIP ISTALLATION PART #: HPNFC	DRAWN BY: DEMMLER FILLINGER 03 / 04 / 11
	APPROVED BY: ANGELA TODD 03 / 04 / 11	SCALE: NTS SHEET: 1 OF 1	VER. A