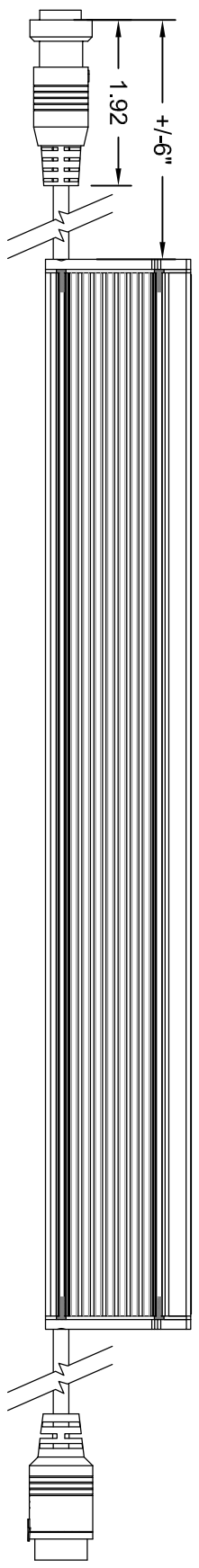


1 PLAN VIEW
SCALE: 6"=1'-0"



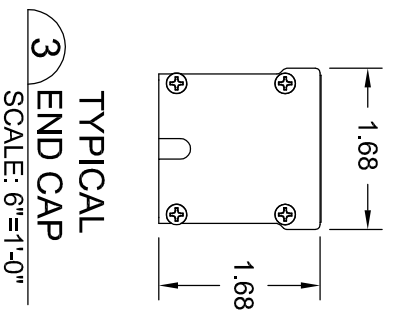
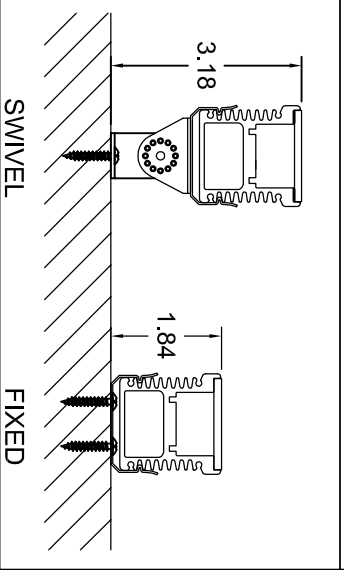
2 ELEVATION VIEW
SCALE: 6"=1'-0"

TECHNICAL DATA

| | |
|-----------------------------------|--|
| Wattage | 9 watts pif (RGB) or 12 watts pif (RGBW) |
| Input Voltage | Line Voltage. See Job Specific Layout Drawing |
| Input Current | 235mA RMS per linear ft |
| Control | Boca Flasher Digital Mainframe |
| Power Cable Length | Custom lengths, Power and Data. |
| LED Spacing, per strip | See Job Specific Layout Drawing |
| Fixture Length | See Layout Drawing |
| Fixture Width | 1.68" |
| Total Height (not including clip) | 1.68" |
| Mounting | See Job Specific Layout Drawing |
| Colors available | See Job Specific Layout Drawing |
| Color Rendering Index (CRI) | See Job Specific Layout Drawing |
| Exterior Wet Listing Options | IP65, IP68 |
| Total linear ft per power feed | 45 feet |
| Transformer | No transformer required. Fixture is Line Voltage |

NOTE: EACH HOME RUN IS RECOMMENDED TO RUN THROUGH A CONDUIT BEFORE LANDING INSIDE A J-BOX. (CONDUIT / BUSHINGS / J-BOX(S) NOT PROVIDED BY BOCA FLASHER). SEE INSTALLATION MANUAL FOR MORE INFORMATION.

MOUNTING OPTIONS



3 TYPICAL END CAP
SCALE: 6"=1'-0"

Trilight

552 N.W. 77TH ST
BOCA RATON, FL 33487
(561) 989-5338

UNLESS OTHERWISE SPECIFIED ALL DIMENSIONS ARE IN INCHES.
TOLERANCES:
ANGLES: ± .XX°
LINEAR: ± 0.060
X.XX ± 0.015
X.XXX ± 0.005

| | | | |
|--------------|--------------------------|---------|----------------|
| FILE NAME: | TR-LIGHT TECHNICAL SHEET | PART #: | HPNLS-TRilight |
| DRAWN BY: | DEMIILERS-FILLINGER | | 03 / 19 / 12 |
| DESIGN BY: | LUIS ROSADO | | 03 / 19 / 12 |
| APPROVED BY: | ANGELA TODD | | 03 / 19 / 12 |
| SCALE: | NTS | SHEET: | 1 OF 1 |

THIS DOCUMENT IS CONFIDENTIAL AND PROTECTED BY COPYRIGHTS OF BOCA FLASHER INC.