

TriLight

Indoor/Outdoor Line Voltage

Installation Instructions



Max temp: 55C
 Min. temp: -40C

Introduction:

Boca Flasher's TriLight is perfect for color washing long runs and direct view applications. The housing is anodized aluminum and is weather and abrasion resistant. This light fixture is built for use with Boca Flasher's Digital Mainframe controller. The Digital Mainframe can run independently, creating many stand-alone color washing and solid color effects, as well as responding to DMX commands for total control of your lighting experience.

MAINTENANCE:

Cleaning: Use a soft cloth, clean surface with mild soap and water.

Storage: Store in a dry, well-ventilated area when product is not in use. Keep the electrical cord away from heated surfaces when in use or not in use. If cord shows signs of damage do not use, return product to manufacturer.

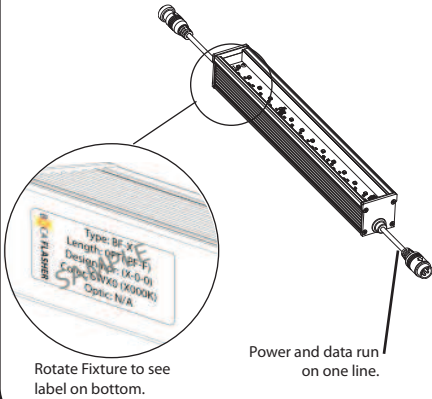
Fixtures must be installed by a qualified and licensed electrician in accordance with all national, state and local electrical codes and regulations. If any part of this manual does not meet the necessary codes and regulations, contact the factory for more information before attempting to install.

ELECTRICAL SPECIFICATIONS

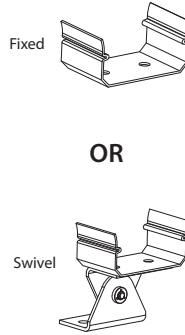
1. Input Voltage: 90-120VAC OR 230-277VAC (See layout drawings for spec.)
2. Total linear ft per 20A breaker: 192' for 120VAC, 350' for 277VAC
3. Total linear ft per 15A breaker: 114' for 120VAC, 250' for 277VAC
4. Input Current: 470mA RMS per linear ft for RGBW, 150mA for White

INCLUDED IN THIS PACKAGE:

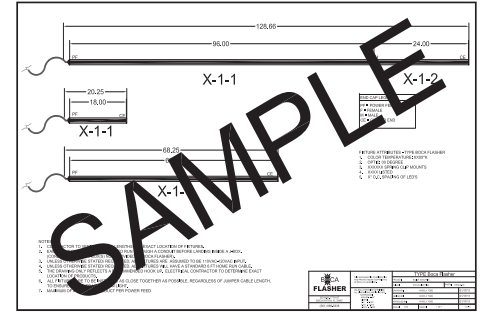
- 1** **Trilight Fixtures**
 (In lengths shown on job specific drawings)



- 2** **Mounting Brackets**
 (1 bracket per fixture)



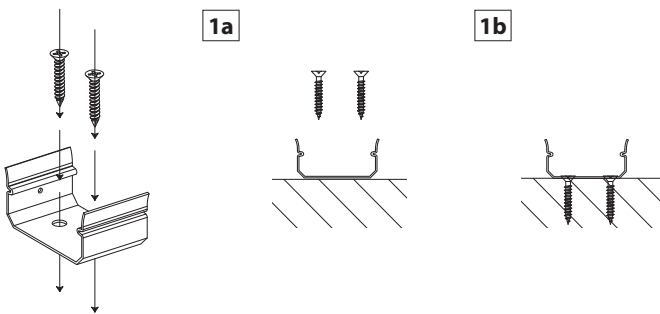
- 3** **Job Specific Drawings**



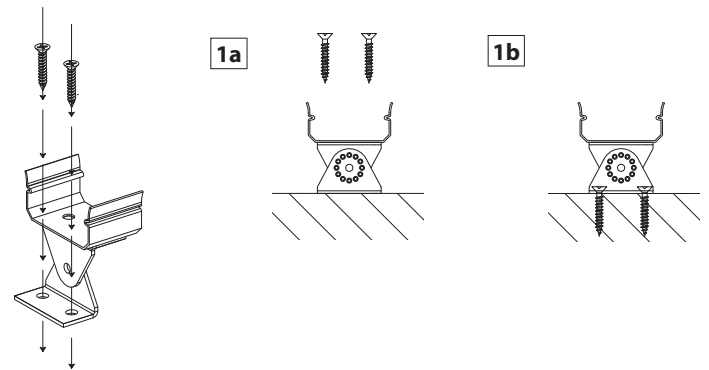
Turn off power before beginning installation.

1. Install Clips into Substrate

Fixed Clips



Swivel Clips



Screw Information:

1. Screws not provided by Boca Flasher.
2. Boca Flasher recommends wide washer flat head Philips #8 screw (not to exceed .418" diameter).
3. Length of screw will vary depending on mounting surface.
4. For **outdoor installations**, installer should use a screw with weatherproof coating.

Locking Swivel Bracket:


1. Boca Flasher recommends using an off set Philips screwdriver with a #2 bit.
2. Screwdriver should be capable of making 90 degree bend.

TriLight

Installation Instructions

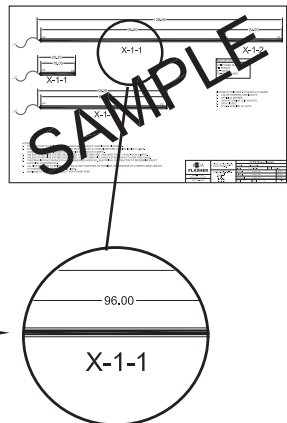
3. Connect Fixtures Together (as Shown on Job Specific Drawings)

3a. Rotate fixture to see bottom and note each label.



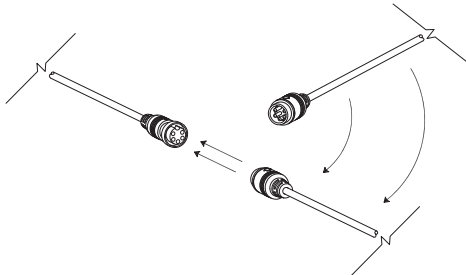
Labels on fixtures correspond with nomenclatures on drawings.

3b. Cross-reference with job specific drawing.

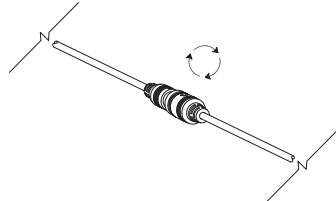


SAMPLE

3c. Line up the two cables and push together.

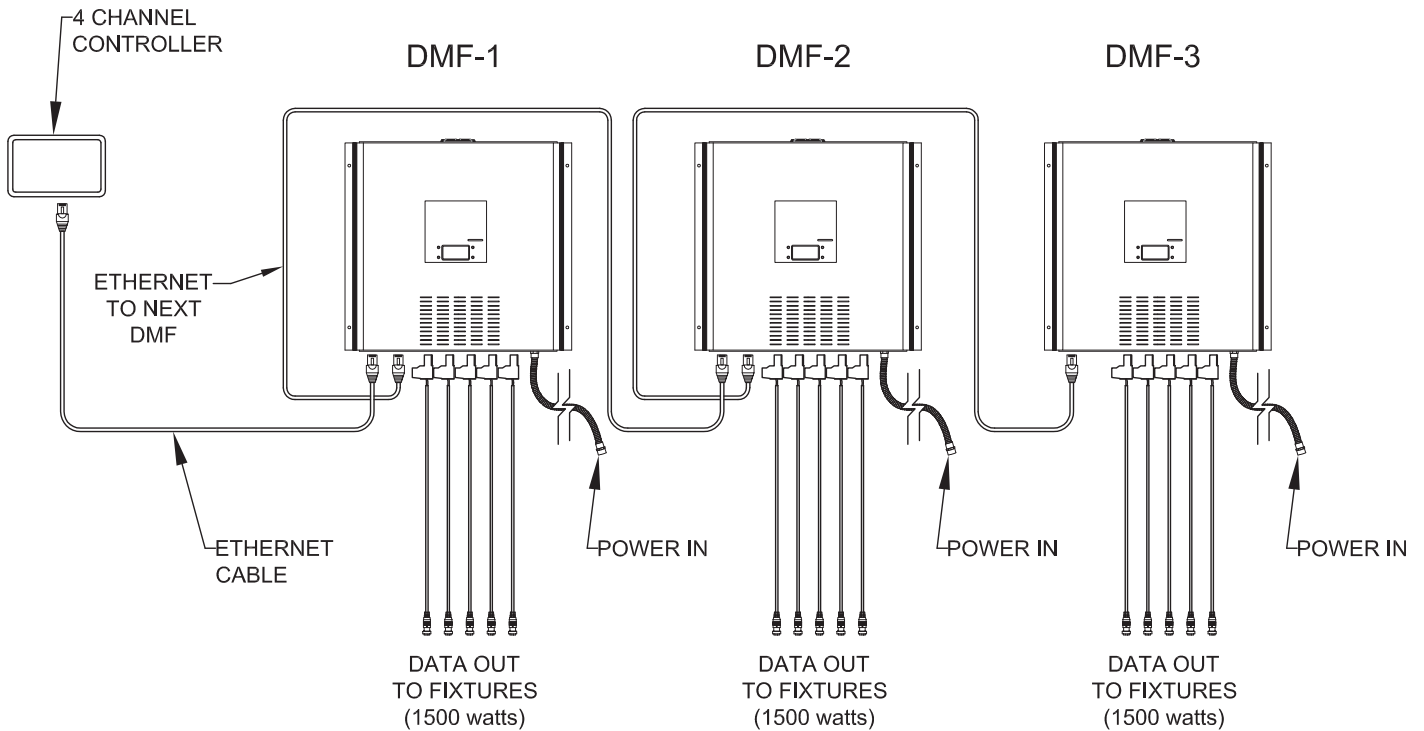


3d. Rotate until you hear a "Click".



4. Connect Digital Mainframes to Controller

Note: A maximum of 14 Digital Mainframes per DMX run is permitted.



TriLight

Installation Instructions

5. Program DMX Addresses (Optional)

If using Boca Flasher PDMXC or Boca Flasher Digital Mainframe and require additional addressing or fixtures were not addressed at the factory see their respective manuals

Important Safety Reminders

1. **DANGER:** To reduce the risk electric shock, always unplug the TriLight from electrical outlet before cleaning. Cut breaker if outlet is not available.
2. To reduce the risk of burns, fire, electric shock, or injury to persons
 - Use the TriLight only for its intended use as described in these instructions. Do not use attachments not recommended by Boca Flasher.
 - Never operate the TriLight if it has a damaged cord, cable or plug, if it is not working properly, if it has been dropped or damaged, or dropped into water. If the seal appears to be damaged/broken/torn return the fixture to a service center for examination or repair.
 - Keep cables away from heated surfaces
- Never drop or insert any object into any opening.
- Do not operate where aerosol (spray) products are being used or where oxygen is being administered.
3. **WARNING:** Do not attempt to install or use the TriLight without reading the installation instructions and safety labels. Failure to adhere to these instructions could result in serious injury or property damage.
4. Do not modify, alter, or attempt to service the TriLight. Doing so will void the warranty.
5. Do not use sharp tools near or on the fixture lens. Doing so will result in property damage and void the warranty.